

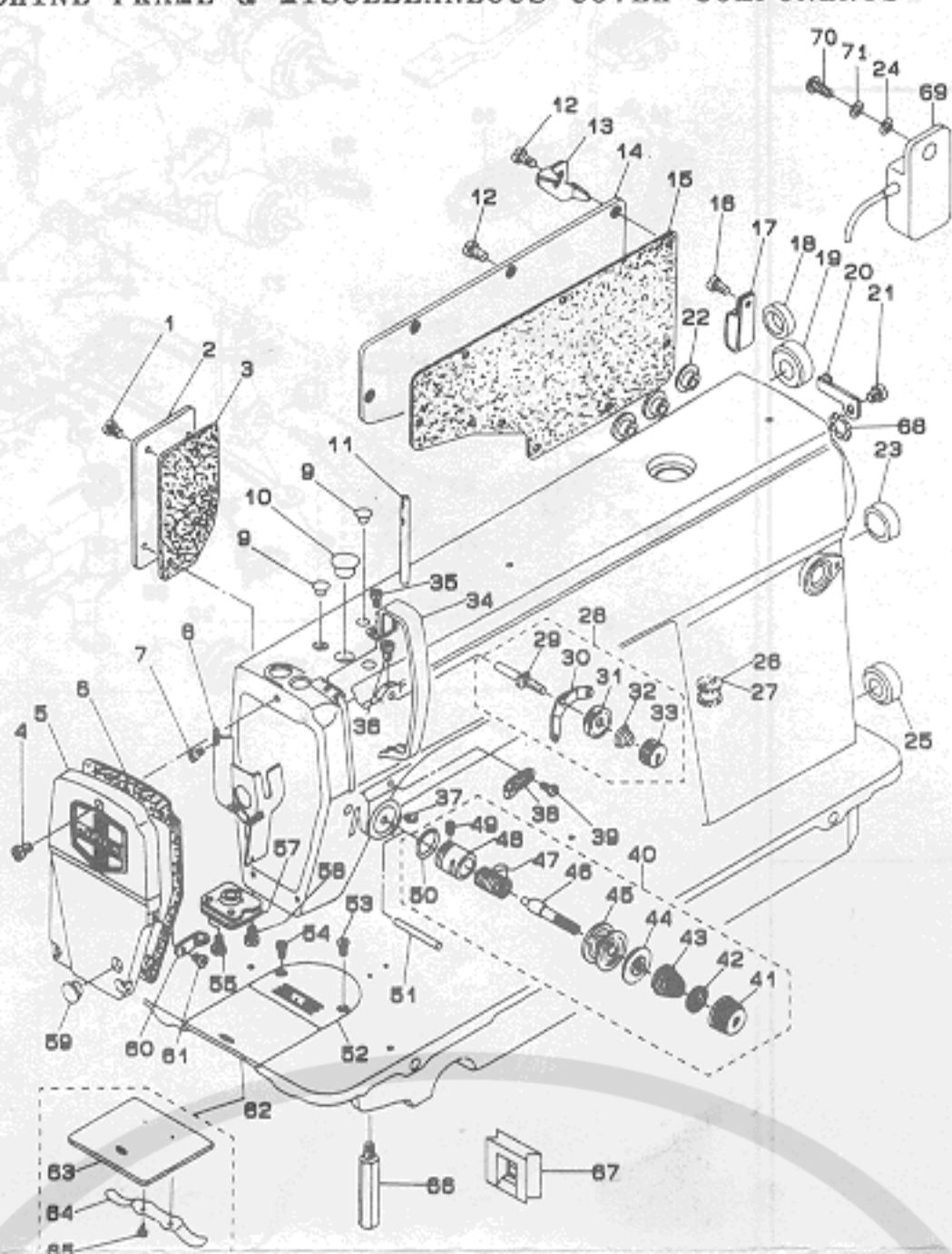
High-Speed 1-Needle Needle Feed Lockstitch Machine with Automatic Thread Trimmer

DLN-5410N-7 DLN-5410N-H-7

PARTS LIST

29122405
No.0899-00

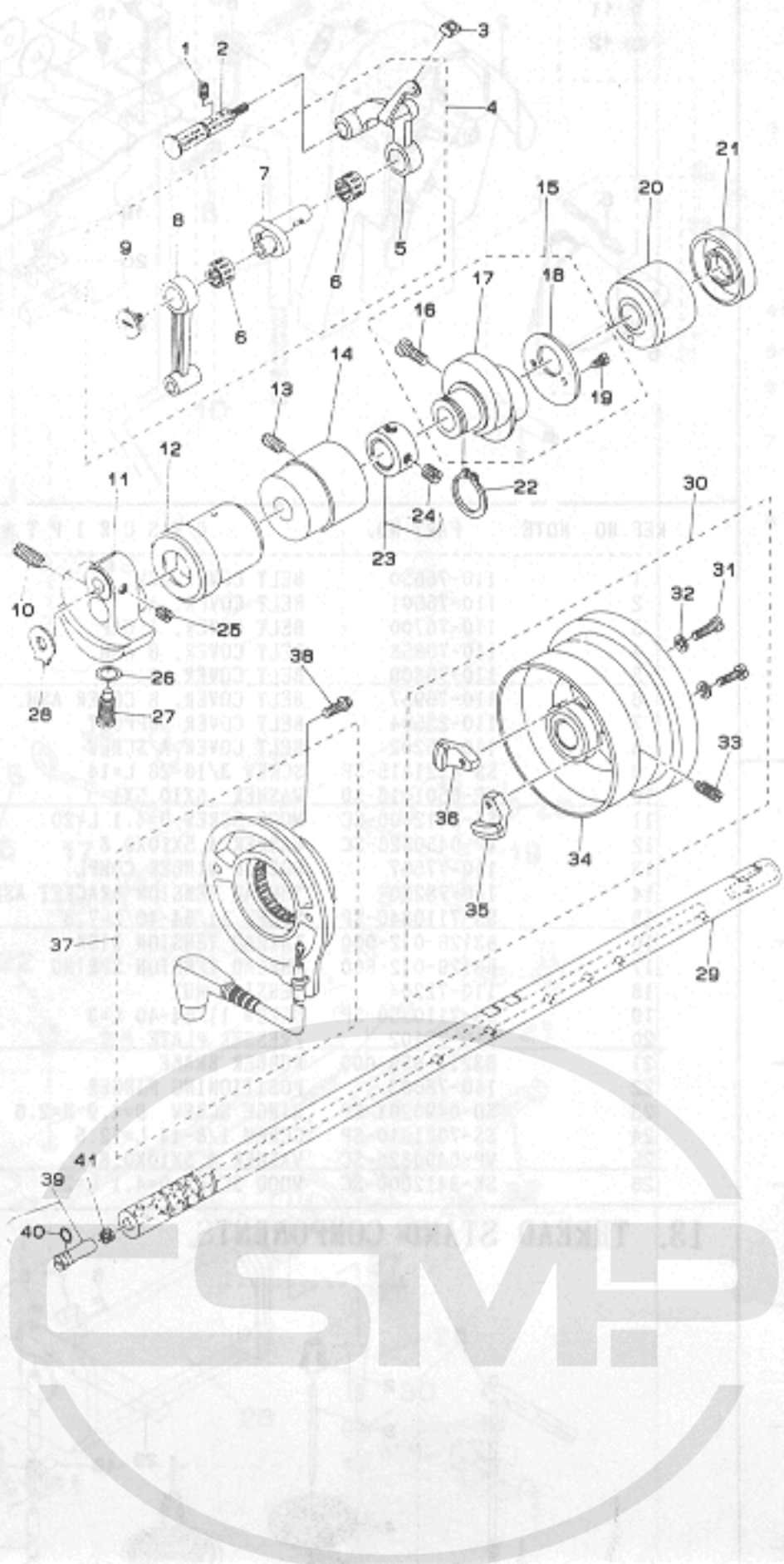
1. MACHINE FRAME & MISCELLANEOUS COVER COMPONENTS



REF.NO	NOTE	PART NO.	DESCRIPTION	Qty
1		113-25750	FACE PLATE ASM.	1
2		113-00506	FACE PLATE GASKET	1
3		113-00407	PRESSER BAR SUPPORT	1
4		113-00605	GASKET	1
5		TA-0850604-R0	RUBBER PLUG	2
6		TA-1250705-R0	RUBBER PLUG	1
7		B1114-012-000	THREAD GUIDE PIN	1
8		SS-4120915-SP	SCREW 3/16-28 L=9	7
9	#01	111-02605	CORD HOLDER	1
10		110-70901	SIDE PLATE	1
11		110-00619	GASKET	1
12		SS-4121215-SP	SCREW 3/16-28 L=12	1
13		D2112-555-B00	CORD HOLDER, LARGE	1
14		110-30301	CABLE HOLDER	1
15		SS-4120615-SP	SCREW 3/16-28 L=6	1
16		TA-2000502-R0	RUBBER PLUG	1
17		SS-1120710-SP	SCREW	1
18	#01	110-95254	LEVER STOPPER ASM.	1
19		TA-2101002-R0	RUBBER PLUG	1
20	#01	111-00104	MAGNET CORD RUBBER	1
21		110-72451	THREAD TENSION NUT ASM.	1
22		110-45002	FIRST TENSION POST	(1)
23		110-45200	THREAD TENSION GUIDE	(1)
24		B3214-047-000	BOBBIN WINDER TENSION DISC	(2)
25		110-45101	THREAD TENSION SPRING	(1)
26		110-72402	THREAD TENSION NUT	(1)
27		SS-4120615-SP	SCREW 3/16-28 L=6	1
28		110-71008	THREAD TAKE-UP LEVER COVER	1
29		SS-4120615-SP	SCREW 3/16-28 L=6	1
30		110-18504	ARM THREAD GUIDE A	1
31		110-01500	SCREW	1
32		110-72352	THREAD TENSION ASM.	1
33		110-72204	TENSION NUT	(1)
34		B3120-125-000	ROTATING STOPPER	(1)
35		B3129-012-A00	TENSION SPRING	(1)
36		B3132-552-000	THREAD TENSION DISK PRESSER	(1)
37		B3126-012-000	THREAD TENSION DISK	(2)
38		B3115-552-000	TENSION POST	(1)
39		B3128-012-000	TAKE-UP SPRING	(1)
40		B3111-126-000	TENSION POST SOCKET	(1)
41		SS-8090670-SP	SCREW 9/64-40 L= 5.5	(1)
42		SS-8150710-SP	SCREW 15/64-28 L=7	1
43	#03	SS-2110920-TP	SCREW 11/64-40 L=8.5	2
44		113-00308	THROAT PLATE	1
45	#04	SS-2110920-TP	SCREW 11/64-40 L=8.5	1
46	#04	SS-2110915-SP	SCREW 11/64-40 L=6.8	1
47		110-18603	ARM THREAD GUIDE B	1
48		SS-6110610-TP	SCREW 11/64-40 L=6	1
49		TA-1250406-R0	RUBBER PLUG	2
50		SS-4121015-SP	SCREW 3/16-28 L=10	3
51		110-01658	BED SLIDE ASM.	1
52		B1110-012-000	SLIDE PLATE	(1)
53		110-01609	BED SLIDE SPRING	(1)
54		SS-6060210-SP	SCREW 3/32-56 L= 1.9	(2)
55		110-01104	BED SCREW STUD	4
56		110-30400	RUBBER PLATE	1
57		SS-1120710-SP	SCREW	4
58		B3133-415-0A0	TENSION RELEASE PIN CAP	1
59		B3136-415-000	CAP RING	1
60		113-05513	ARM THREAD GUIDE, C	1
61	#02	110-30202	RUBBER BUSHING	1
62		TA-0850604-R0	RUBBER PLUG	1
63		TA-1250504-R0	RUBBER PLUG	1
64		TA-1250504-R0	RUBBER PLUG	1
65		TA-2101002-R0	RUBBER PLUG	1
66		NS-6110310-SP	NUT 11/64-40	1
67		WT-0530002-KS	TOOTHED WASHER	1
68	#05	180-77503	THREAD TAKE-UP LEVER COVER	1
69		M6002-350-AAC	RESISTANCE PACK AC ASM.	1
70	#06	M6002-350-AAL	RESISTANCE PACK AL ASM.	1
71	#07	M6002-350-AAA	RESISTANCE PACK AA ASM.	1
72		SS-4121215-SP	SCREW 3/16-28 L=12	1
73		VP-0501016-SD	WASHER 5X10.5X1	1
74		WS-0510002-KP	SPRING WASHER	1
75	#05	SS-4120915-SP	SCREW 3/16-28 L=9	1
76		110-44054	GROUND WIRE ASM.	1

Note #01...FOR DLN-5410N-7-0B,7-WB
 #02...FOR DLN-5410N-7,7-W0
 #03...FOR DLN-5410N-7,7-WB
 #04...FOR DLN-5410N-7-W0,7-WB
 #05...FOR JE
 #06...FOR DOMESTIC USE
 #07...FOR JA

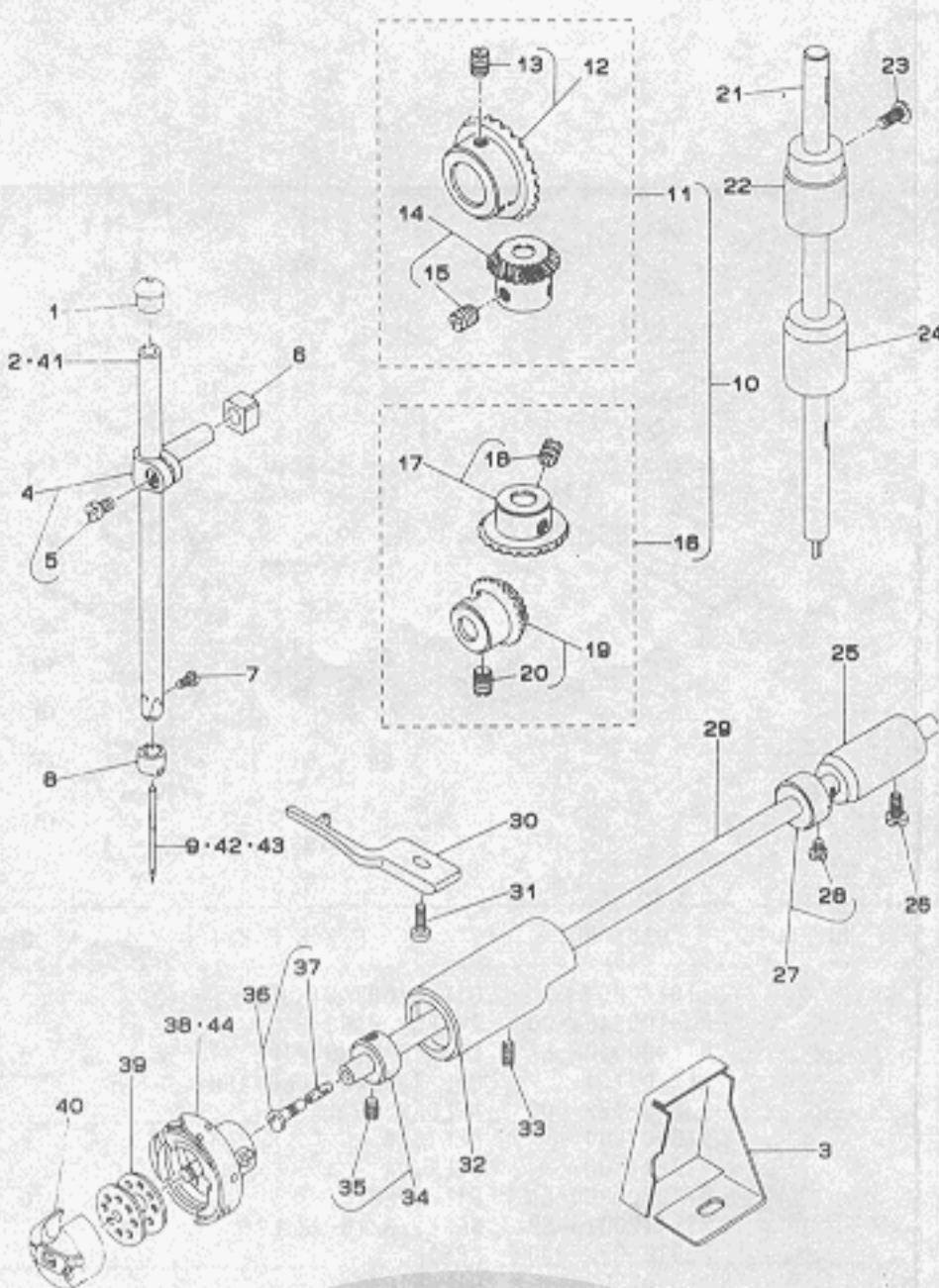
2. MAIN SHAFT COMPONENTS



REF. NO	NOTE	PART NO.	DESCRIPTION	Qty
1		SS-8151150-SP	SCREW 15/64-28 L=10.5	1
2		110-17357	THREAD TAKE-UP CRANK SHAFT ASM	1
3		B1909-505-000	RUBBER	1
4		110-39070	THREAD TAKE-UP LEVER ASM.	1
5		110-39062	THREAD TAKE-UP LEVER ASM.	(1)
6	#01	B1905-541-B00	BALANCE NEEDLE BEARING	(2)
7		110-05204	NEEDLE BAR CRANK	(1)
8		B1408-552-000	NEEDLE BAR CRANK ROD	(1)
9		B1903-552-000	LEFT SCREW	(1)
10		SS-8681650-TP	SCREW 9/32-28 L=16	1
11		110-02102	COUNTERWEIGHT	1
12		113-00902	BUSHING, FRONT	1
13		SS-8150912-TH	SCREW	1
14		112-02306	BUSHING, INTERMEDIATE	1
15		113-02361	FEED DRIVE ECCENTRIC CAM ASM.	1
16		SS-6661110-SP	SCREW 1/4-40 L=11	(2)
17		113-02304	FEED DRIVE ECCENTRIC CAM	(1)
18		110-08109	THRUST COLLAR	(1)
19		SS-6090650-SP	SCREW 9/64-40 L=6	(2)
20		110-02805	MAIN SHAFT BUSHING, REAR	1
21		110-02508	OIL SEAL	1
22		RC-1850001-KP	SNAP RING 18.5	1
23		CS-147121A-SH	THRUST COLLAR ASM. D=14.72 W=12	1
24		SS-8660610-TP	SCREW 1/4-40 L=6	(2)
25		SS-8660610-TP	SCREW 1/4-40 L=6	2
26		RO-0442401-00	RUBBER RING	1
27		SS-7681650-TP	SCREW 9/32-28 L=16	1
28		B1212-552-A00	COUNTERWEIGHT PROTECTING PLATE	1
29		110-02003	MAIN SHAFT	1
30		110-71461	HAND WHEEL ASM.	1
31		SS-6111210-SP	SCREW 11/64-40 L=12	(2)
32		WP-0450801-SD	WASHER 4.5X10.0X0.8	(2)
33		SS-8151550-SP	SCREW 15/64-28 L=15	(2)
34		110-71453	HAND WHEEL ASM.	(1)
35		M4007-110-0AA	MAGNET FITTING BASE A ASM.	(1)
36		M4007-110-0AB	MAGNET FITTING BASE B ASM.	(1)
37		110-32562	GENERATOR STARTER ASM.	1
38		SL-4051001-MZ	SCREW	2
39		B1213-552-0A0-A	OIL AMOUNT ADJUSTING PIN ASM.	1
40		RO-0291801-00	RUBBER RING	(1)
41		110-02904	ROLLER FELT	1

Note #01....SELECTING PART

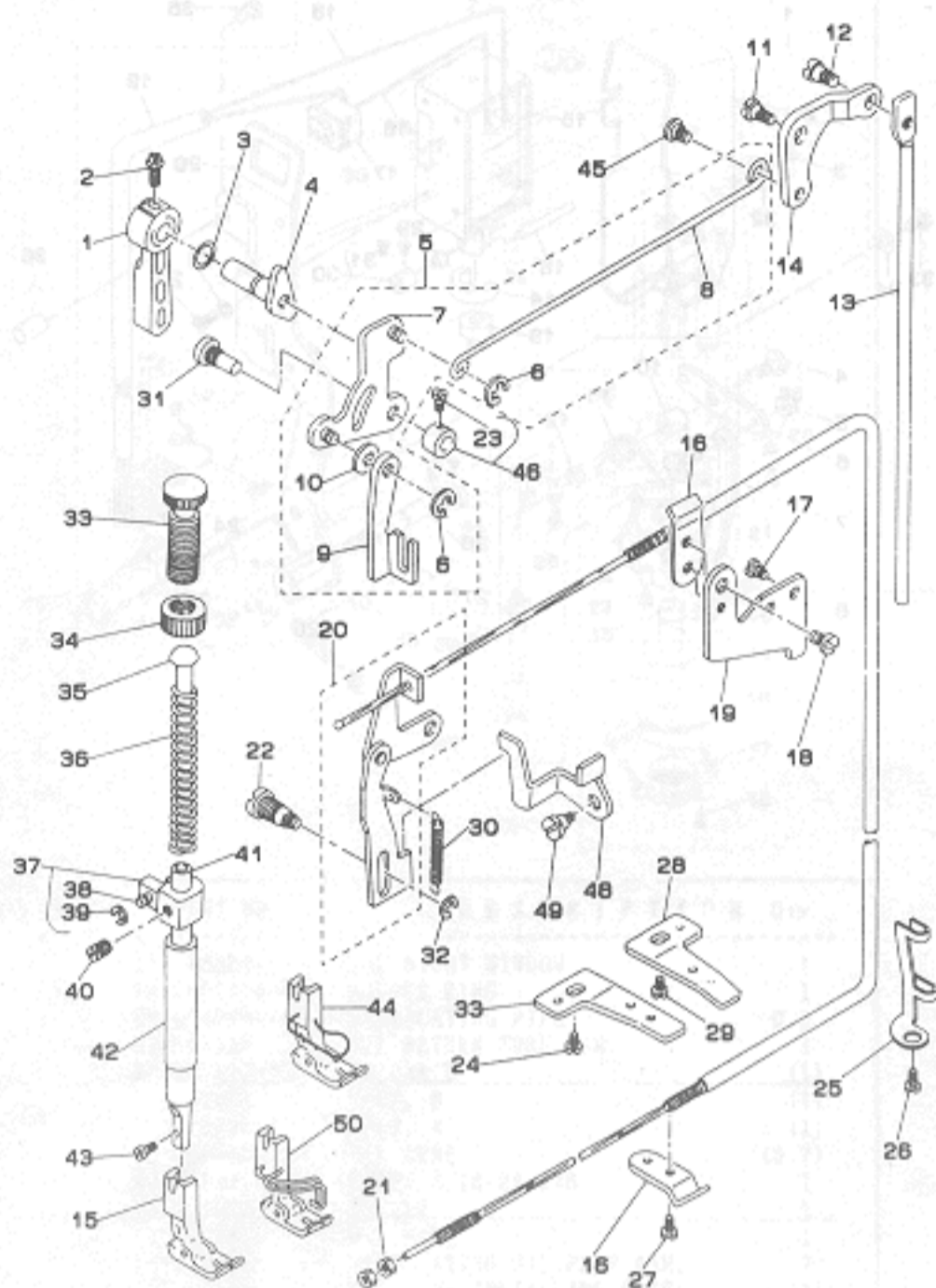
3. NEEDLE BAR, UPRIGHT SHAFT & HOOK DRIVING SHAFT COMPONENTS



REF. NO	NOTE	PART NO.	DESCRIPTION	Qty
1		TA-1250804-R0	RUBBER PLUG	1
2		113-01009	NEEDLE BAR, A	1
3		110-38908	OIL SHIELD	1
4		B1411-552-0A0	NEEDLE ROD HOLDER ASM.	1
5		SS-6090670-TP	SCREW 9/64-40 L=6	(1)
6		B1414-226-000	SLIDE BLOCK	1
7		SS-7080510-TP	SCREW 1/8-44 L=4.5	1
8		B1418-552-A00	NEEDLE THREAD GUIDE A	1
9		MDB-100B1400	NEEDLE DBX1 #14	1
10		B1306-155-0C0	GEAR & PINION ASM.	1
11		B1306-155-0B0	GEAR & PINION ASM., UPPER	(1)
12		B1305-012-0A0	GEAR ASM.	(1)
13		SS-8660810-TP	SCREW 1/4-40 L=8	(2)
14		B1306-155-0A0	PINION ASM.	(1)
15		SS-8660810-TP	SCREW 1/4-40 L=8	(2)
16		B1307-155-0B0	GEAR & PINION ASM., LOWER	(1)
17		B1307-155-0A0	GEAR ASM. LARGE	(1)
18		SS-8660810-TP	SCREW 1/4-40 L=8	(2)
19		B1308-155-0A0	PINION ASM.	(1)
20		SS-8660810-TP	SCREW 1/4-40 L=8	(2)
21		110-04009	UPRIGHT SHAFT	1
22		110-04306	BUSHING, UPPER	1
23		SS-4120915-SP	SCREW 3/16-28 L=9	1
24		110-04207	UPRIGHT SHAFT BUSHING, LOWER	1
25		110-15807	BUSHING, REAR	1
26		SS-4120915-SP	SCREW 3/16-28 L=9	1
27		CS-079101A-SH	THRUST COLLAR ASM. D=7.94 V=10	1
28		SS-6110420-TP	SCREW 11/64-40 L=4.8	(2)
29		110-15005	HOOK DRIVING SHAFT	1
30		110-38809	BOBBIN CASE HOLDER	1
31		SS-6111010-SP	SCREW 11/64-40 L= 9.5	1
32		110-15104	BUSHING ASM., FRONT	1
33		SS-8150432-TH	SCREW	1
34		CS-079073A-SH	THRUST COLLAR	1
35		SS-8110410-TP	SCREW 11/64-40 L= 3.5	(2)
36		B1808-552-0A0	OIL SEAL SCREW ASM.	1
37		B1810-552-000	OIL WICK	(1)
38		111-41355	HOOK ASM.	1
39		B9117-012-000	BOBBIN	1
40		110-38759	BOBBIN CASE ASM.	1
41	#01	113-01108	NEEDLE BAR, B	1
42	#02	MC-2005009-00	NEEDLE 134 NM90	1
43	#03	MDB-500B1400	NEEDLE DPX5 #14	1
44	#04	110-38650	LUBRICATING BOBBIN ASM.	1

Note #01....FOR JE, JO
 #02....FOR JE
 #03....FOR JO
 #04....FOR DOMESTIC USE

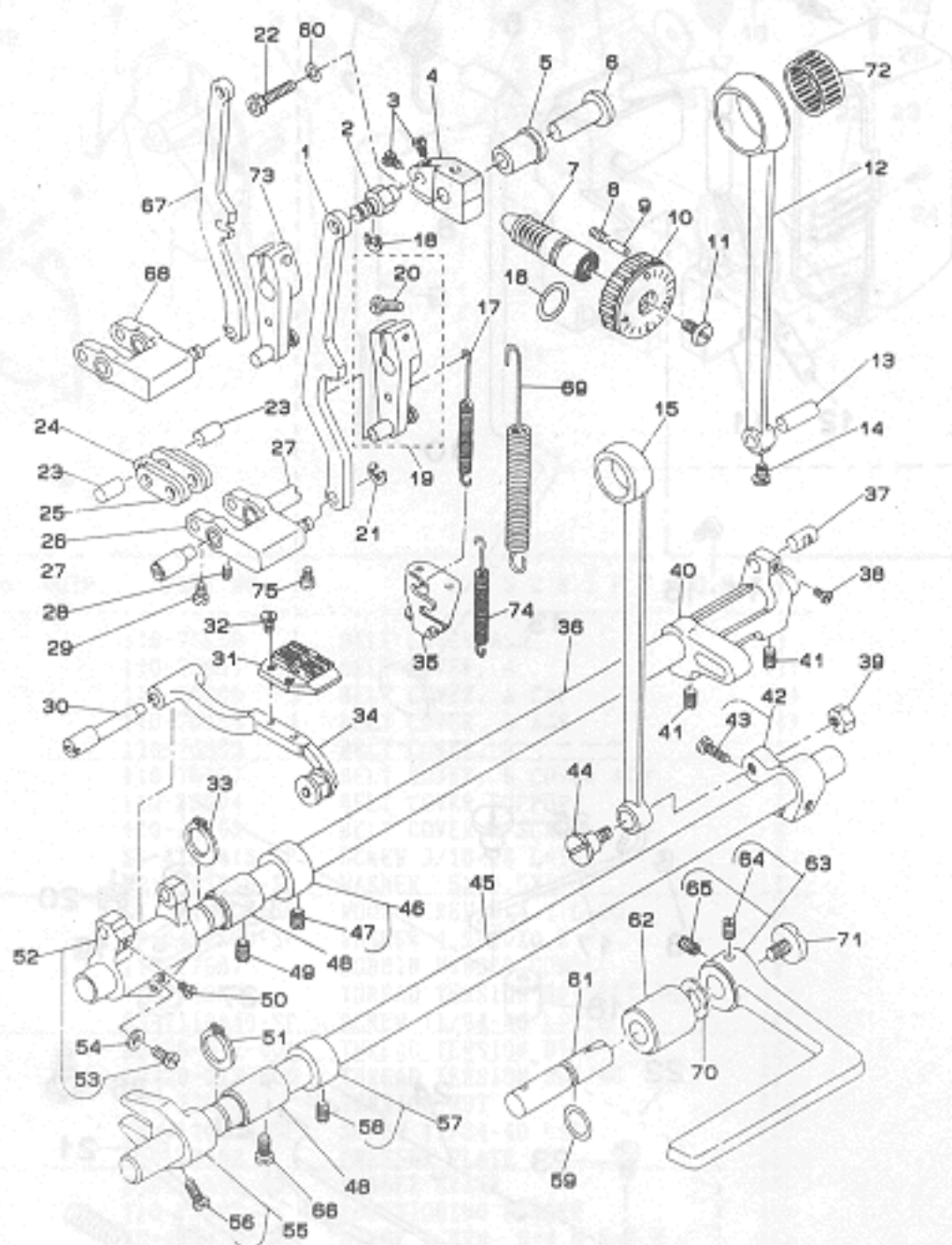
4. HAND LIFTER COMPONENTS



REF. NO	NOTE	PART NO.	DESCRIPTION	Qty
1	#01	113-14507	FEED ADJUST ROD	1
2		113-02809	PIN	1
3		SS-6090560-TP	SCREW 9/64-40 L=4.5	2
4		113-03310	FEED ADJUSTING BASE	1
5		110-09800	FEED REGULATOR BUSHING	1
6		113-85119	FEED REGULATOR SHAFT	1
7		110-09909	FEED REGULATOR SCREW	1
8		B1148-555-000	SPRING	1
9		110-52701	PIN	1
10		113-26204	FEED DIAL	1
11		SS-6121860-SP	SCREW	1
12		113-02411	ROCKER SHAFT CONNECTING ROD	1
13		110-09206	WALKING FOOT PIN C	1
14		SS-6090620-TP	SCREW	1
15		110-14008	CONNECTING ROD	1
16		RO-0922702-00	RUBBER RING	1
17	#01	113-02700	SPRING	1
18		RE-0500000-K0	E-RING	1
19	#02	113-02254	FEED REVERSE ARM ASM.	1
20		SS-6121250-TP	SCREW	(1)
21		RE-0500000-K0	E-RING	1
22		SS-9861120-CP	SCREW 1/4-40 L=10.5	1
23		110-09008	WALKING FOOT PIN A	2
24		113-03005	CONNECTING LINK, B	2
25		113-02908	CONNECTING LINK, A	2
26	#02	113-03161	FEED ADJUST LINK ASM.	1
27		110-08802	ADJUSTING LINK FULCRUM SHAFT A	2
28		SS-8150710-SP	SCREW 15/64-28 L=7	1
29		SS-6090620-SP	SCREW 9/64-40 L=6	2
30		110-37207	FEED BAR SHAFT	1
31		D1609-415-B00	FEED DOG	1
32		SS-4080620-TP	SCREW 1/8-44 L=6	2
33		RC-0150001-KP	RETAINING RING 13.8	1
34		110-37553	FEED PLATE ASM.	1
35		113-01900	FEED SPRING HOOK	1
36		110-10808	FEED ROCKER SHAFT	1
37		110-09107	WALKING FOOT PIN B	1
38		SS-6090620-TP	SCREW	1
39		NS-8680410-SP	NUT 9/32-28	1
40		113-02502	FEED ROCKER SHAFT CRANK	1
41		SS-8681130-SP	SCREW 9/32-28 L=11	2
42		110-14156	REAR CRANK ASM.	1
43		SS-7121610-SP	SCREW 3/16-28 L=15.5	(1)
44		SD-1000801-SH	HINGE SCREW	1
45		110-14206	FEED DRIVING SHAFT	1
46		CS-147121A-SH	THRUST COLLAR ASM.D=14.72 V=12	1
47		SS-8680810-TP	SCREW 1/4-40 L=6	(2)
48		110-10907	FEED ROCKER SHAFT BUSHING	2
49		SS-8150432-TH	SCREW	1
50		SS-7110740-TP	SCREW 11/64-40 L=7	1
51		RC-0150001-KP	RETAINING RING 13.8	1
52		110-37157	FEED BAR CRANK ASM.	1
53		SS-7121410-TP	SCREW 3/16-28 L=14	(1)
54		WP-0480856-SP	WASHER 4.8X8.4X0.8	(1)
55		110-14354	DRIVING SHAFT CRANK ASM..FRONT	1
56		SS-7111120-SP	SCREW 11/64-40 L=10.5	(1)
57		CS-147121A-SH	THRUST COLLAR ASM.D=14.72 V=12	1
58		SS-8680810-TP	SCREW 1/4-40 L=6	(2)
59		RO-0781901-00	RUBBER RING	1
60		WP-0702026-SP	WASHER 7X15X2	1
61		110-53105	FEED REVERSE SHAFT	1
62		110-10709	FEED LEVER METAL	1
63		110-72154	FEED LEVER ASM.	1
64		SS-8681040-TP	SCREW 1/4-40 L=10	(1)
65		SS-8680810-TP	SCREW 1/4-40 L=8	(1)
66		SS-4120915-SP	SCREW 3/16-28 L=9	1
67	#02	113-02106	FEED ADJUST ROD	1
68	#01	113-14267	FEED ADJUST LINK ASM.	1
69		113-02819	SPRING	1
70	#02	VZ-1250300-K0	WAVED WASHER	1
71		SS-7620750-SP	SCREW 3/16-32 L= 6.5	1
72	#03	B1636-581-C00	NEEDLE BEARING	1
73	#01	113-11057	FEED REVERSE ARM ASM.	1
74	#02	113-05000	SPRING	1
75		SS-6151220-SP	SCREW 15/64-28 L=11.5	1

Note #01.... FOR DLN-5410H-7-0B,7-WB
 #02.... FOR DLN-5410H-7,7-WO
 #03.... SELECTIVE PART

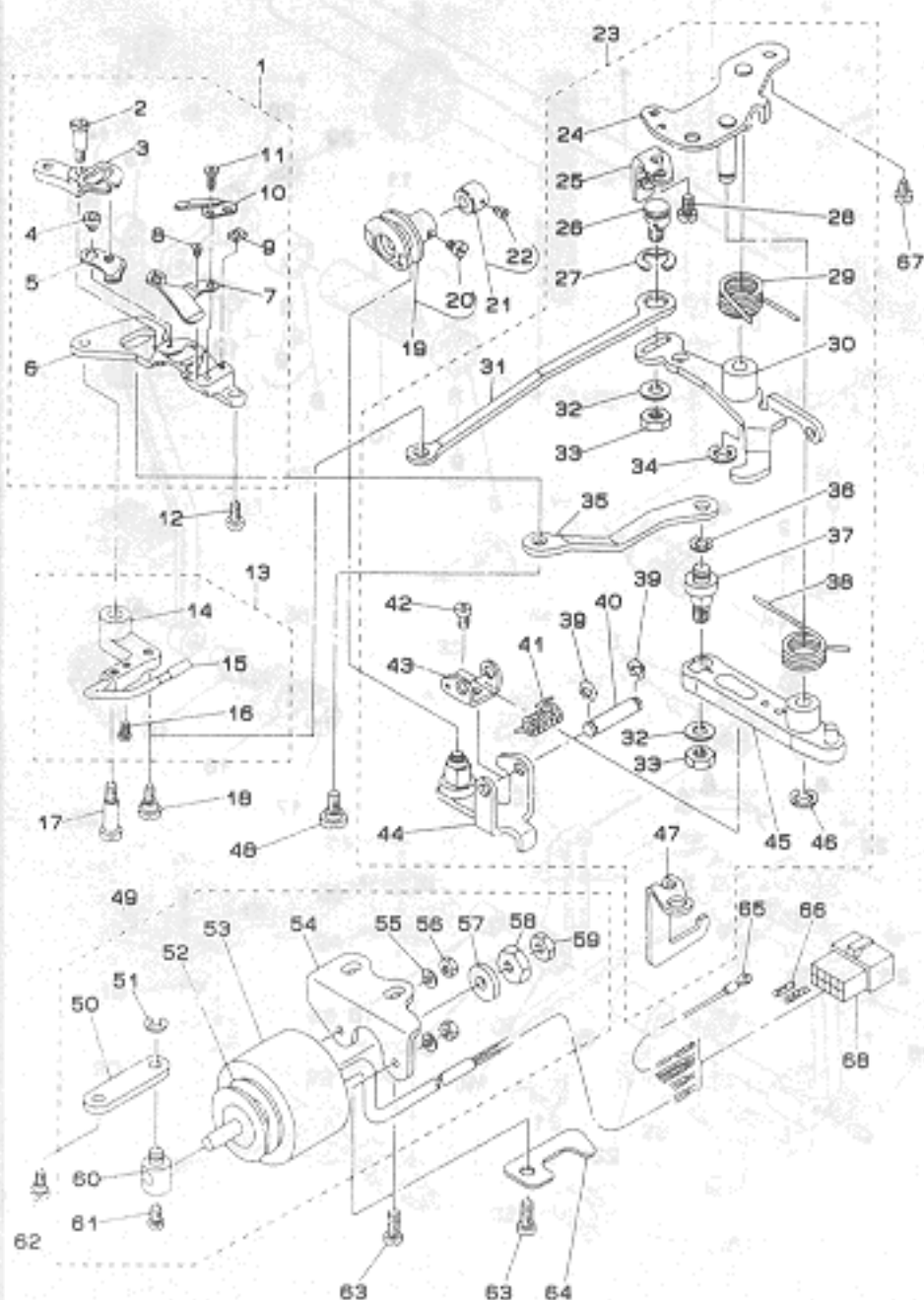
5. FEED MECHANISM COMPONENTS



REF. NO	NOTE	PART NO.	DESCRIPTION	Qty
1	#01	113-14507	FEED ADJUST ROD	1
2		113-02809	PIN	1
3		SS-6090560-TP	SCREW 9/64-40 L=4.5	2
4		113-03310	FEED ADJUSTING BASE	1
5		110-09800	FEED REGULATOR BUSHING	1
6		113-85119	FEED REGULATOR SHAFT	1
7		110-09909	FEED REGULATOR SCREW	1
8		B1148-555-000	SPRING	1
9		110-52701	PIN	1
10		113-26204	FEED DIAL	1
11		SS-6121860-SP	SCREW	1
12		113-02411	ROCKER SHAFT CONNECTING ROD	1
13		110-09206	WALKING FOOT PIN C	1
14		SS-6090620-TP	SCREW	1
15		110-14008	CONNECTING ROD	1
16		RO-0922702-00	RUBBER RING	1
17	#01	113-02700	SPRING	1
18		RE-0500000-K0	E-RING	1
19	#02	113-02254	FEED REVERSE ARM ASM.	1
20		SS-6121250-TP	SCREW	(1)
21		RE-0500000-K0	E-RING	1
22		SS-9661120-CP	SCREW 1/4-40 L=10.5	1
23		110-09008	WALKING FOOT PIN A	2
24		113-03005	CONNECTING LINK, B	2
25		113-02908	CONNECTING LINK, A	2
26	#02	113-03161	FEED ADJUST LINK ASM.	1
27		110-08802	ADJUSTING LINK FULCRUM SHAFT A	2
28		SS-8150710-SP	SCREW 15/64-28 L=7	1
29		SS-6090620-SP	SCREW 9/64-40 L=6	2
30		110-37207	FEED BAR SHAFT	1
31		D1609-415-B00	FEED DOG	1
32		SS-4080620-TP	SCREW 1/8-44 L=6	2
33		RC-0150001-KP	RETAINING RING 13.8	1
34		110-37553	FEED PLATE ASM.	1
35		113-01900	FEED SPRING HOOK	1
36		110-10808	FEED ROCKER SHAFT	1
37		110-09107	WALKING FOOT PIN B	1
38		SS-6090620-TP	SCREW	1
39		HS-6680410-SP	NUT 9/32-28	1
40		113-02502	FEED ROCKER SHAFT CRANK	1
41		SS-8681130-SP	SCREW 9/32-28 L=11	2
42		110-14156	REAR CRANK ASM.	1
43		SS-7121610-SP	SCREW 3/16-28 L=15.5	(1)
44		SD-1000801-SH	HINGE SCREW	1
45		110-14206	FEED DRIVING SHAFT	1
46		CS-147121A-SH	THRUST COLLAR ASM.D=14.72 V=12	1
47		SS-8660610-TP	SCREW 1/4-40 L=6	(2)
48		110-10907	FEED ROCKER SHAFT BUSHING	2
49		SS-8150432-TH	SCREW	1
50		SS-7110740-TP	SCREW 11/64-40 L=7	1
51		RC-0150001-KP	RETAINING RING 13.8	1
52		110-37157	FEED BAR CRANK ASM.	1
53		SS-7121410-TP	SCREW 3/16-28 L=14	(1)
54		WP-0480856-SP	WASHER 4.8X8.4X0.8	(1)
55		110-14354	DRIVING SHAFT CRANK ASM..FRONT	1
56		SS-7111120-SP	SCREW 11/64-40 L=10.5	(1)
57		CS-147121A-SH	THRUST COLLAR ASM.D=14.72 V=12	1
58		SS-8660610-TP	SCREW 1/4-40 L=6	(2)
59		RO-0781901-00	RUBBER RING	1
60		WP-0702026-SP	WASHER 7X15X2	1
61		110-53105	FEED REVERSE SHAFT	1
62		110-10709	FEED LEVER METAL	1
63		110-72154	FEED LEVER ASM.	1
64		SS-8661040-TP	SCREW 1/4-40 L=10	(1)
65		SS-8660810-TP	SCREW 1/4-40 L=8	(1)
66		SS-4120915-SP	SCREW 3/16-28 L=9	1
67	#02	113-02106	FEED ADJUST ROD	1
68	#01	113-14267	FEED ADJUST LINK ASM.	1
69		113-02619	SPRING	1
70	#02	WZ-1250300-K0	WAVED WASHER	1
71		SS-7620750-SP	SCREW 3/16-32 L= 6.5	1
72	#03	B1636-581-C00	NEEDLE BEARING	1
73	#01	113-11057	FEED REVERSE ARM ASM.	1
74	#02	113-05000	SPRING	1
75		SS-6151220-SP	SCREW 15/64-28 L=11.5	1

Note #01...FOR DLN-5410H-7-0B.7-WB
 #02...FOR DLN-5410H-7.7-WO
 #03...SELECTIVE PART

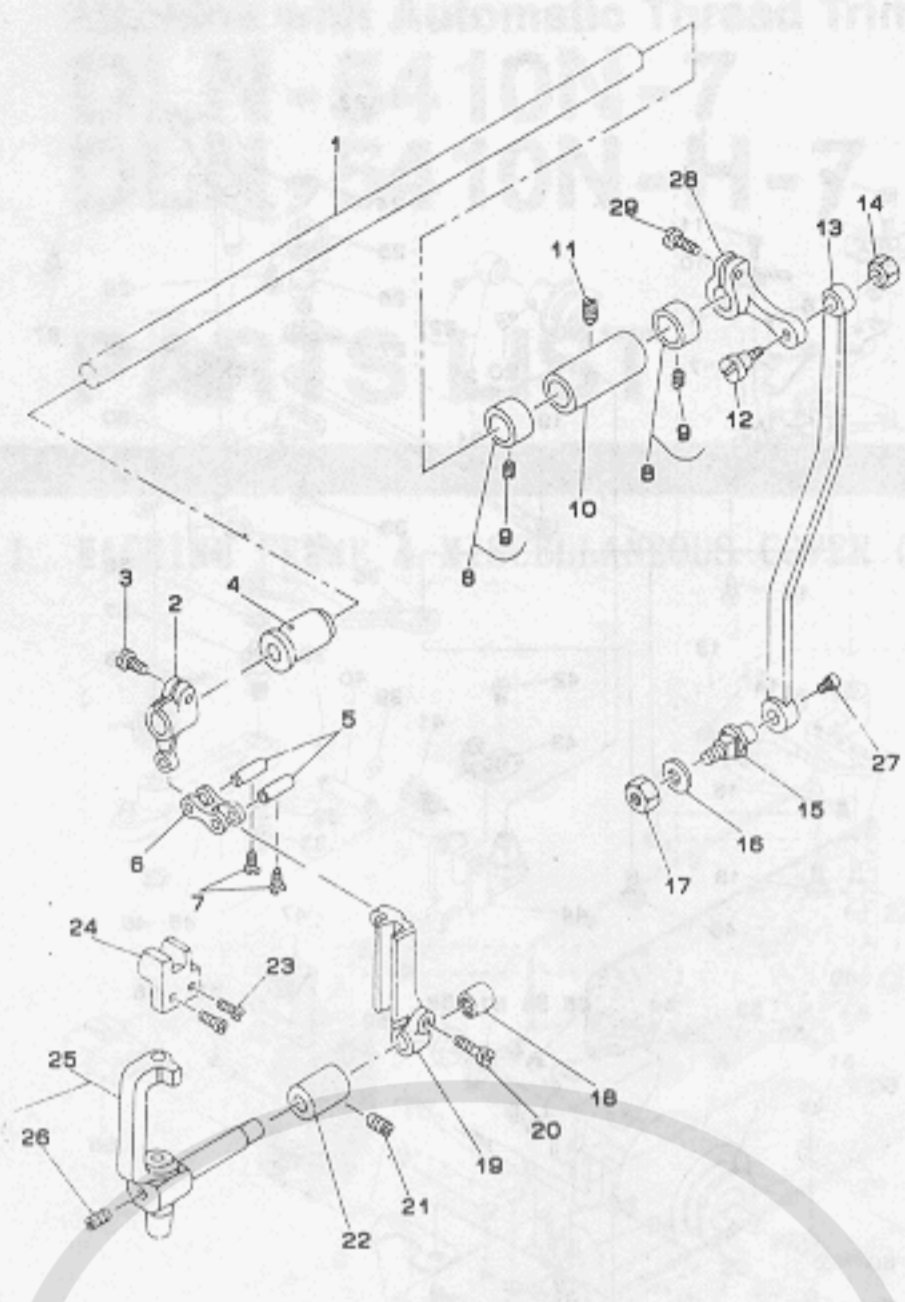
6. THREAD TRIMMER COMPONENTS



REF. NO	NOTE	PART NO.	DESCRIPTION	Qty
1		113-13251	KNIFE UNIT	1
2		SD-0460703-TP	HINGE SCREW	(1)
3		112-32105	FORKED BASE FOR KNIFE	(1)
4		SD-0500095-TH	HINGE SCREW D= 5 H= 0.85	(1)
5		113-13053	MOVING KNIFE ASM.	(1)
6		110-40300	KNIFE MOUNTING BASE	(1)
7		113-13103	THREAD GUIDE FOR KNIFE	(1)
8		SS-2060210-SP	SCREW 3/32-56 L=2.3	(1)
9		D2404-555-800	COUNTER KNIFE SPACER	(1)
10		D2406-555-DOH	COUNTER KNIFE	(1)
11		SS-4080620-TP	SCREW 1/8-44 L=6	(2)
12		SS-4110715-SP	SCREW 11/64-40 L=7	1
13		110-42553	PICKER ARM ASM.	1
14		110-42504	PICKER ARM	(1)
15		110-42652	THREAD TAKE-UP PICKER ASM.	(1)
16		SS-6090510-SP	SCREW 9/64-40 L=5	(2)
17		SD-0641451-SP	HINGE SCREW D= 6.35 H=14.5	1
18		SD-0630275-SP	HINGE SCREW D= 6.35 H= 2.7	1
19		110-42850	THREAD TRIMMER CAM ASM.	1
20		SS-6660610-TP	SCREW 1/4-40 L=6	(2)
21		110-42959	CAM COLLAR ASM.	1
22		SS-8110520-TP	SCREW 11/64-40 L= 4.5	(1)
23		110-42264	THREAD TRIMMER DRIVING UNIT	1
24		110-42058	BASE PLATE ASM.	(1)
25		110-42751	DRIVING ARM STOPPER ASM.	(1)
26		110-42306	PICKER LINK PIN	(1)
27		RE-0800000-K0	E-SHAPED SNAP RING (8MM)	(1)
28		SS-4110715-SP	SCREW 11/64-40 L=7	(2)
29		110-41704	CLUTCH SPRING	(1)
30		110-41852	CLUTCH PLATE ASM.	(1)
31		110-42405	PICKER LINK	(1)
32		WP-0621016-SH	WASHER	(1)
33		NS-6150430-SP	NUT 15/64-28	(2)
34		RE-0600000-K0	E-SHAPED SNAP RING (6MM)	(1)
35		110-40607	MOVING KNIFE LINK	(1)
36		RE-0500000-K0	E-RING	(1)
37		110-40706	MOVING KNIFE LINK PIN	(1)
38		110-43700	KNIFE RETURN SPRING, B	(1)
39		RE-0400000-K0	E-SHAPED SNAP RING (4MM)	(2)
40		110-41407	ROLLER FULCRUM SHAFT	(1)
41		110-41506	ROLLER RETURN SPRING	(1)
42		SS-7090810-SP	SCREW 9/64-40 L=6	(1)
43		110-41308	ROLLER ARM BRACKET	(1)
44		110-40953	ROLLER ARM ASM.	(1)
45		110-40854	KNIFE DRIVING ARM ASM.	(1)
46		RE-0600000-K0	E-SHAPED SNAP RING (6MM)	(1)
47		SS-4150915-SP	SCREW 15/64-28 L=9	2
48		SD-0640631-TP	HINGE SCREW	1
49		110-43957	SOLENOID UNIT	1
50		110-42207	CLUTCH LINK	(1)
51		RE-0500000-K0	E-RING	(1)
52		110-43205	SOLENOID RUBBER A	(1)
53		110-43908	THREAD TRIMMER SOLENOID	(1)
54		110-43403	SOLENOID BASE	(1)
55		WP-0450000-SD	WASHER 4.5X8X0.5	(2)
56		NH-6040000-SN	NUT M4	(2)
57		110-43304	SOLENOID RUBBER	(1)
58		NS-6660410-SH	NUT	(1)
59		NS-6660430-SP	NUT 1/4-40	(1)
60		110-43007	SOLENOID PIN	(1)
61		SS-6110710-TP	SCREW 11/64-40 L= 6.5	(1)
62		SD-0600361-SP	HINGE SCREW	1
63		SS-4151215-SP	SCREW	2
64	#01	110-21706	TUBE HOLDER (LOWER)	1
65		110-44054	GROUND WIRE ASM.	1
66		HK-0346400-0B	PIN CONTACT	2
67		110-95304	THREAD TRIMMER ADJUSTING PLATE	1
68		HK-0346101-40	HOUSING 14P	1

Note #01...FOR DLN-5410N-7.7-W0

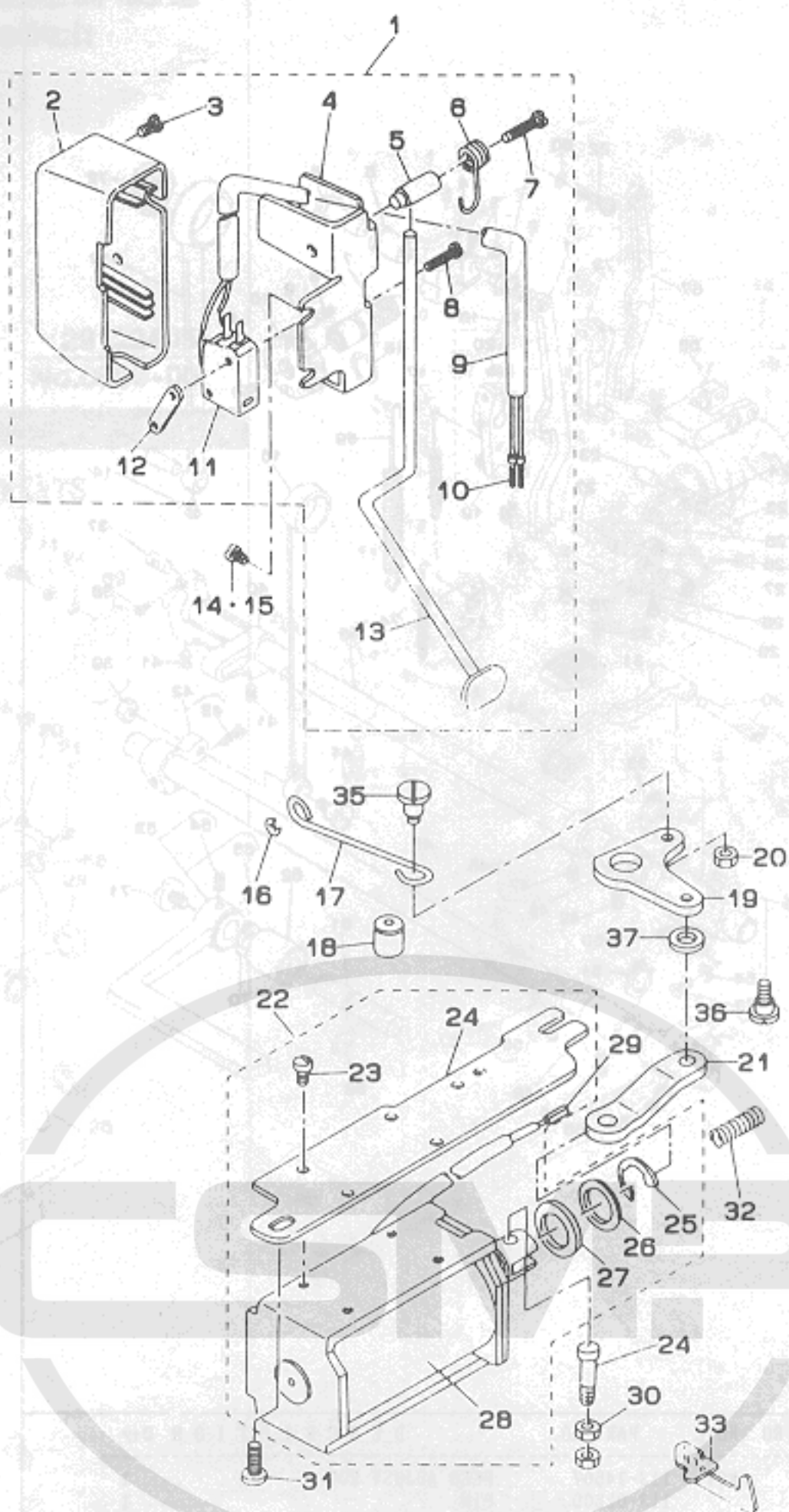
7. NEEDLE BAR FRAME COMPONENTS



REF.NO	NOTE	PART NO.	DESCRIPTION	Qty
1		113-04409	CONNECTING SHAFT	1
2		113-04003	DRIVING CRANK, FRONT	1
3		SS-6121220-TP	SCREW 3/16-28 L=11.5	1
4		112-11000	ROCK SHAFT BUSHING, FRONT	1
5	#01	B1412-352-B00	NEEDLE BAR LINK PIN	2
6		B2906-415-000	DRIVING LINK	1
7		SS-6090660-TP	SCREW 9/64-40 L=6	2
8		CS-120101B-SH	THRUST COLLAR ASM.	1
9		SS-8660410-SP	SCREW 1/4-40 L= 4.2	(4)
10		112-10903	ROCK SHAFT BUSHING, REAR	1
11		SS-8120740-SP	SCREW 3/16-28 L=7	1
12		SD-0790501-SP	HINGE SCREW	1
13		113-04201	CONNECTING ROD	1
14		NS-6150310-SP	NUT 15/64-28	1
15		113-04300	CONNECTING ROD SHAFT	1
16		WP-0621016-SD	WASHER 6.2X13X1	1
17		NS-6150430-SP	NUT 15/64-28	1
18		113-04904	BEARING	1
19		113-03807	SLIDE BLOCK GUIDE	1
20		SS-6121610-SP	SCREW 3/16-28 L=15.5	1
21		SS-8120740-SP	SCREW 3/16-28 L=7	1
22		112-14509	FEED ROCKER SHAFT BUSHING	1
23		SS-6090810-SP	SCREW 9/64-40 L= 7.5	2
24		113-03906	NEEDLE BAR FRAME GUIDE	1
25		113-03567	NEEDLE BAR FRAME ASM.	1
26		SS-8110310-SP	SCREW 11/64-40 L= 2.8	(1)
27		SS-6110640-SP	SCREW 11/64-40 L= 6.0	1
28		113-04102	DRIVING CRANK, REAR	1
29		SS-6121220-TP	SCREW 3/16-28 L=11.5	1

Note #01....SELECTING PART

8. AUTOMATIC REVERSE FEED MECHANISM COMPONENTS

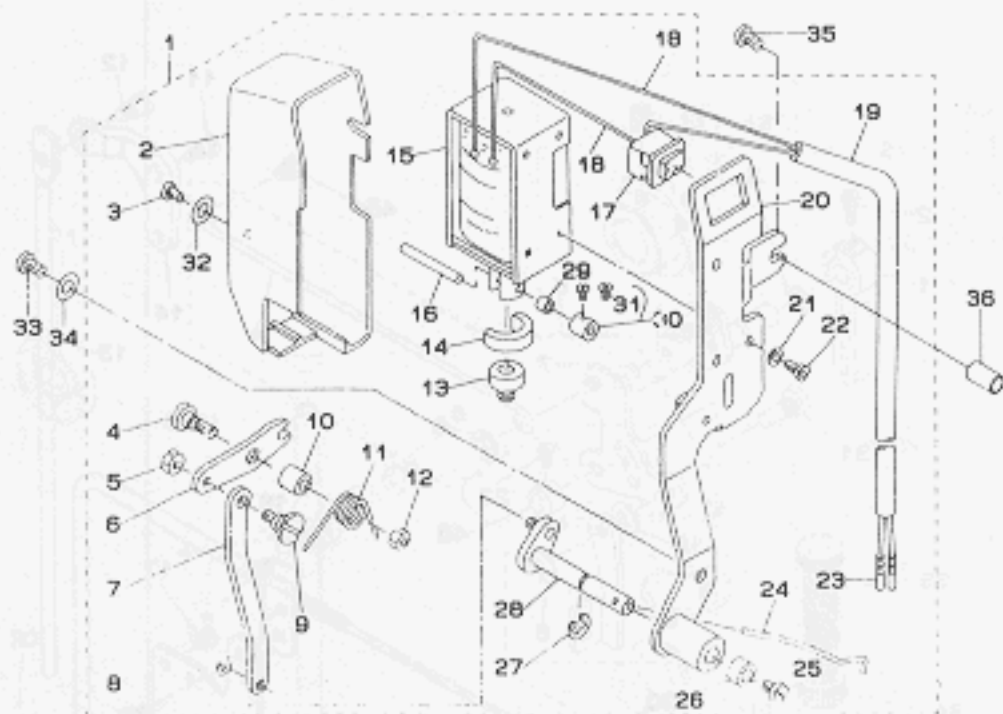


REF.NO	NOTE	PART NO.	DESCRIPTION	Qty
1		113-27053	REVERSE FEED SWITCH ASM.	1
2		110-72501	REVERSE FEED SWITCH COVER	(1)
3		SS-4110615-SP	SCREW 11/64-40 L=6	(1)
4		111-02001	REVERSE FEED SWITCH BASE	(1)
5		111-02100	REVERSE FEED SWITCH SHAFT	(1)
6		111-02209	REVERSE FEED SWITCH SPRING	(1)
7		SS-4111815-SP	SCREW	(1)
8		SW-4031501-SC	SCREW	(2)
9		HW-5000700-00	2-CORE CABTYRE CORD	(1.3)
10		HK-0346400-0B	PIN CONTACT	(2)
11		HA-0019000-00	MICROSWITCH	(1)
12		111-02308	REVERSE FEED SWITCH PLATE	(1)
13		113-26808	REVERSE FEED CONTROL LEVER	(1)
14	#01	SS-4120615-SP	SCREW 3/16-28 L=6	2
15	#02	SS-4120915-SP	SCREW 3/16-28 L=9	1
16		RE-0500000-KO	E-RING	1
17		111-01300	REVERSE FEED CONNECTING SHAFT	1
18		112-28103	REVERSE FEED BASE COLLAR	1
19		111-01508	REVERSE FEED LINK	1
20		NS-6110350-SP	NUT 11/64-40	1
21		111-01607	SOLENOID CONNECTING LINK	1
22		113-14754	SOLENOID INSTALLING BASE ASM.	1
23		SS-7110740-TP	SCREW 11/64-40 L=7	(4)
24		110-95106	SOLENOID INSTALLING PLATE	(1)
25		RE-1200000-KO	SNAP RING 12	(1)
26		WP-1703001-SC	WASHER 17X30X3	(1)
27		D2468-555-B00	RUBBER PLUNGER	(1)
28		112-28400	REVERSE FEED SOLENOID	(1)
29		113-14408	PLUNGER ARM PIN	1
30		NS-6110420-SP	NUT 11/64-40	2
31		SS-4150915-SP	SCREW 15/64-28 L=9	1
32		112-17601	WALKING FOOT SPRING	1
33	#03	112-28301	TUBE HOLDER, LOWER	1
34		HK-0346400-0B	PIN CONTACT	2
35		SD-0700451-TP	HINGE SCREW	1
36		SD-0700711-TP	HINGE SCREW	1
37		WP-0722316-SH	WASHER	1

Note #01...FOR DLN-5410H-7-0B
 #02...FOR DLN-5410H-7-VB
 #03...FOR DLN-5410H-7-0B,7-VB

9. WIPER COMPONENTS

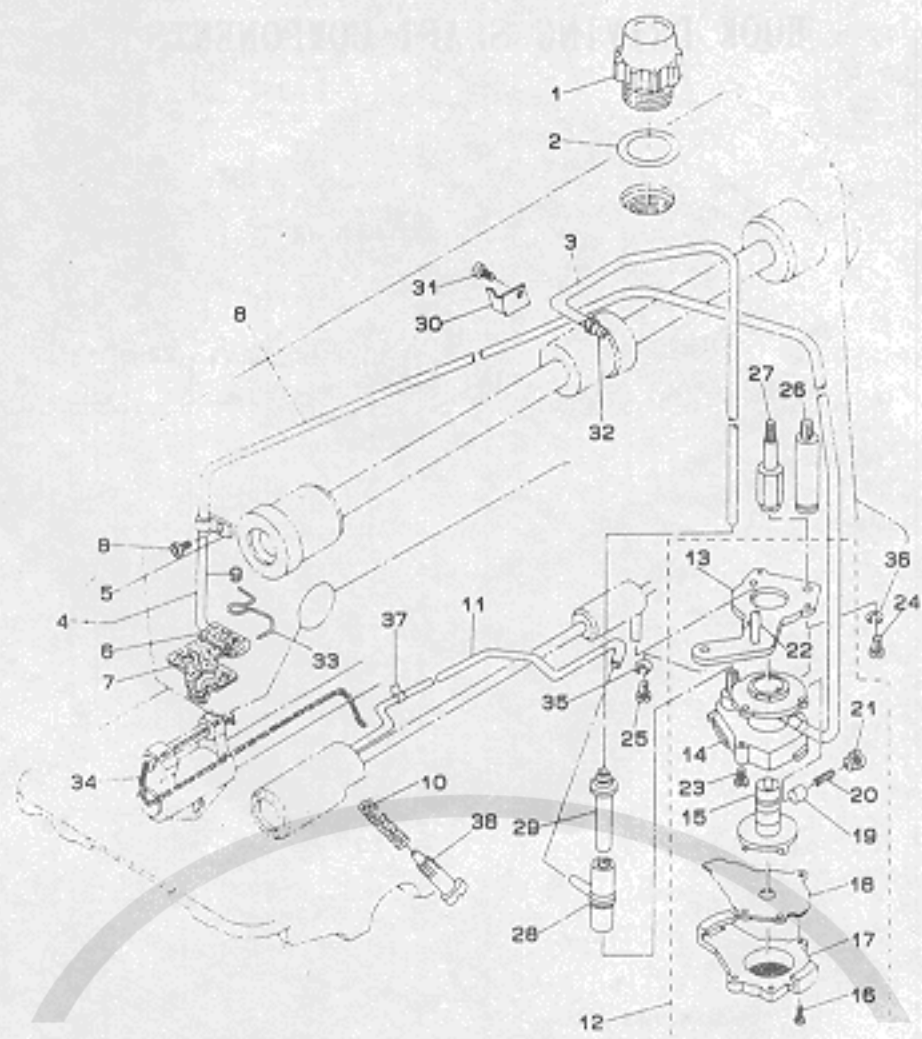
BOOK DRIVING SHAFT COMPONENTS



REF.NO	NOTE	PART NO.	DESCRIPTION	Qty
1		113-27558	WIPER ASM.	1
2		110-72709	WIPER COVER	(1)
3		SM-4030601-SM	SCREW M3 X 6	(1)
4		SD-0650321-TP	HINGE SCREW	(1)
5		NS-6090310-SP	NUT 9/64-40	(1)
6		111-10608	WIPER LINK A	(1)
7		111-10905	CONNECTING LINK	(1)
8		RE-0250000-K0	E-SHAPED SNAP RING (2.5MM)	(1)
9		111-11507	WIPER LINK B, HINGE SCREW	(1)
10		111-10707	WIPER HINGE SCREW COLLAR	(1)
11		111-10806	WIPER SPRING	(1)
12		NS-6110310-SP	NUT 11/64-40	(1)
13		111-10400	WIPER RUBBER A	(1)
14		111-10509	WIPER RUBBER B	(1)
15		111-10301	WIPER SOLENOID	(1)
16		111-11705	WIPER SOLENOID PIN	(1)
17		HA-0005900-00	POWER SWITCH	(1)
18		HV-2003900-00	ELECTRIC WIRE	(0.1)
19		HV-5000700-00	2-CORE CABTYRE CORD	(1.4)
20		111-10152	WIPER BASE ASM.	(1)
21		WS-0310002-KN	SPRING WASHER M3	(3)
22		SM-4030601-SM	SCREW M3 X 6	(3)
23		HK-0346400-0B	PIN CONTACT	(2)
24		111-11606	WIPER	(1)
25		SS-6090540-SP	SCREW 9/64-40 L= 5.0	(1)
26		111-11309	BRACKET INSTALLING COLLAR	(1)
27		RE-0500000-K0	E-RING	(1)
28		113-15058	WIPER DRIVING SHAFT ASM.	(1)
29		111-11804	WIPER LINK COLLAR	(1)
30		CS-030071A-SP	THRUST COLLAR ASM.	(1)
31		SS-6080320-SP	SCREW 1/8-44 L= 2.5	(2)
32		WP-0320501-SC	WASHER M3	(1)
33		SS-4120915-SP	SCREW 3/16-28 L=9	1
34	#01	WP-0482086-SD	WASHER 4.8X11.5X2.0	1
35		SS-6121840-SP	SCREW 3/16-28 L=18.0	1
36		113-15108	COLLAR	1

Note #01...FOR DLN-5410N-7-W0

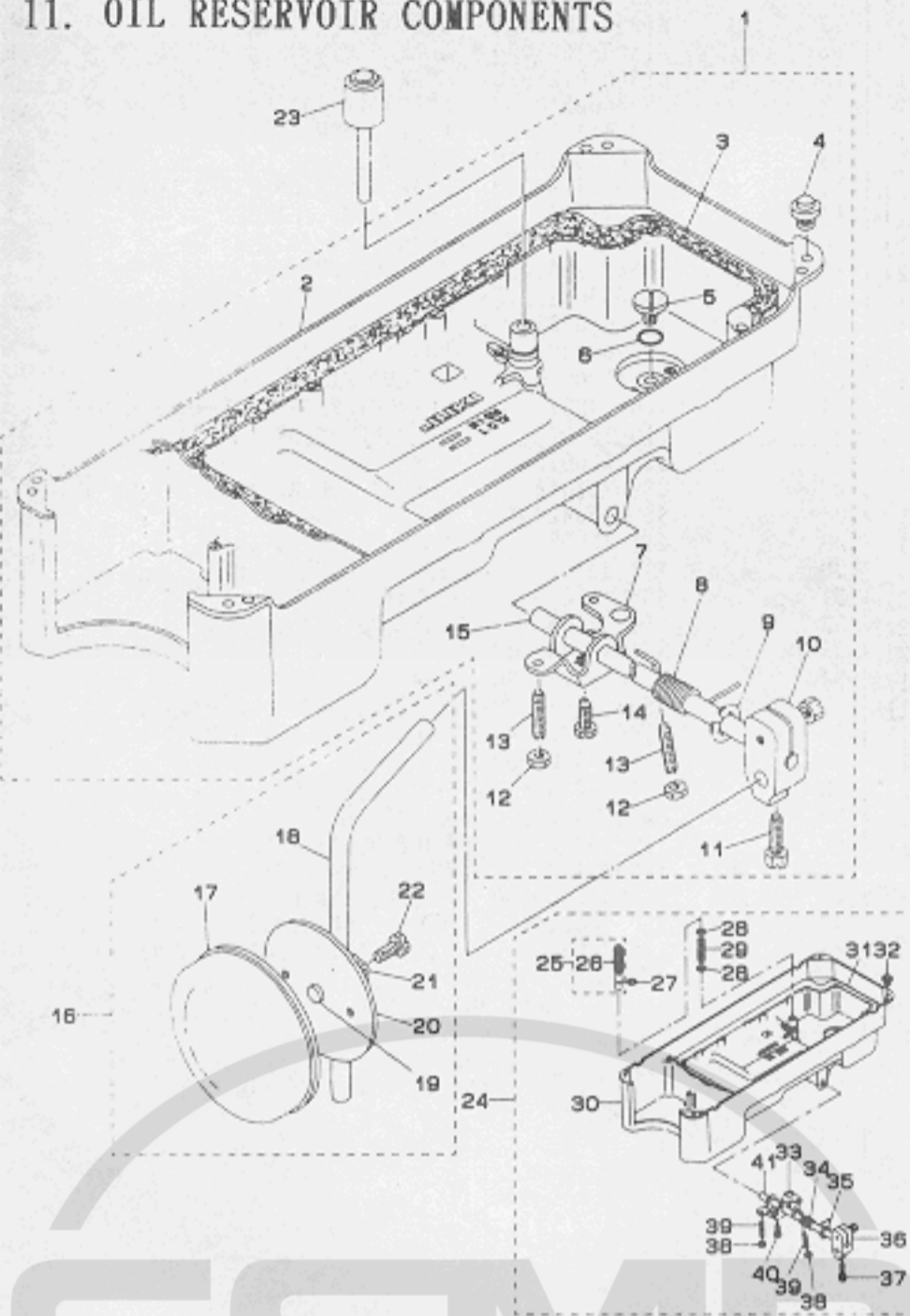
10. OIL LUBRICATION COMPONENTS



REF. NO	NOTE	PART NO.	DESCRIPTION	Qty
1		110-46604	OIL SIGHT WINDOW	1
2		RO-1952401-00	RUBBER RING	1
3		BT-0600402-EA	LUBRICATING PIPE	0.3
4		113-07154	OIL RETURN TUBE ASM.	1
5		B3536-122-000	HOLDER B	(1)
6		113-07204	FELT, B	(1)
7		113-07105	FELT, A	(1)
8		BT-0500300-EA	OIL TUBE	(0.7)
9		SS-4120615-SP	SCREW 3/16-28 L=6	1
10		B2616-372-000	SPRING	1
11		113-07352	OIL WICK	1
12		110-20054	LUBRICATING OIL PUMP ASM.	1
13		110-20302	OIL PUMP INSTALLING BASE	(1)
14		110-20005	OIL PUMP	(1)
15		110-20708	OIL PUMP IMPELLER	(1)
16		SE-4301041-SR	SCREW	(3)
17		110-20203	LUBRICATING OIL PUMP COVER	(1)
18		110-20807	OIL PUMP IMPELLER COVER	(1)
19		110-20401	PLUNGER	(1)
20		110-20609	PLUNGER SPRING	(1)
21		110-20500	PLUNGER SCREW	(1)
22		110-20906	HOOK DRIVING SHAFT OIL TUBE	(1)
23		SL-4030851-SF	SCREW M3 L=8	(3)
24		SS-4151215-SP	SCREW	1
25		SS-6111010-TP	SCREW 11/64-40 L= 9.5	1
26	#01	113-92107	OIL PUMP SUPPORT	1
27	#02	112-31503	OIL PUMP SUPPORT	1
28		110-21409	RUBBER JOINT	1
29		112-21504	OIL TUBE JOINT	1
30		112-22007	HOLDER	1
31		SS-6080340-SP	SCREW 1/8-44 L=3.0	1
32		SQ-1150501-SD	CONNECTING SCREW	1
33		113-07006	OIL FELT PRESSER	1
34		CQ-2520000-00	OIL WICK	0.3
35		WS-0451040-KP	SPRING WASHER 4.5X8.5X1	1
36		WS-0651310-KP	SPRING WASHER 6.5X11X1.3	1
37		EA-9500802-00	CABLE BAND 150	(1)
38		B3514-412-000	OIL ADJUSTING SCREW	1

Note #01....FOR DLN-5410N-7.7-WO
 #02....FOR DLN-5410N-7-0B.7-WB

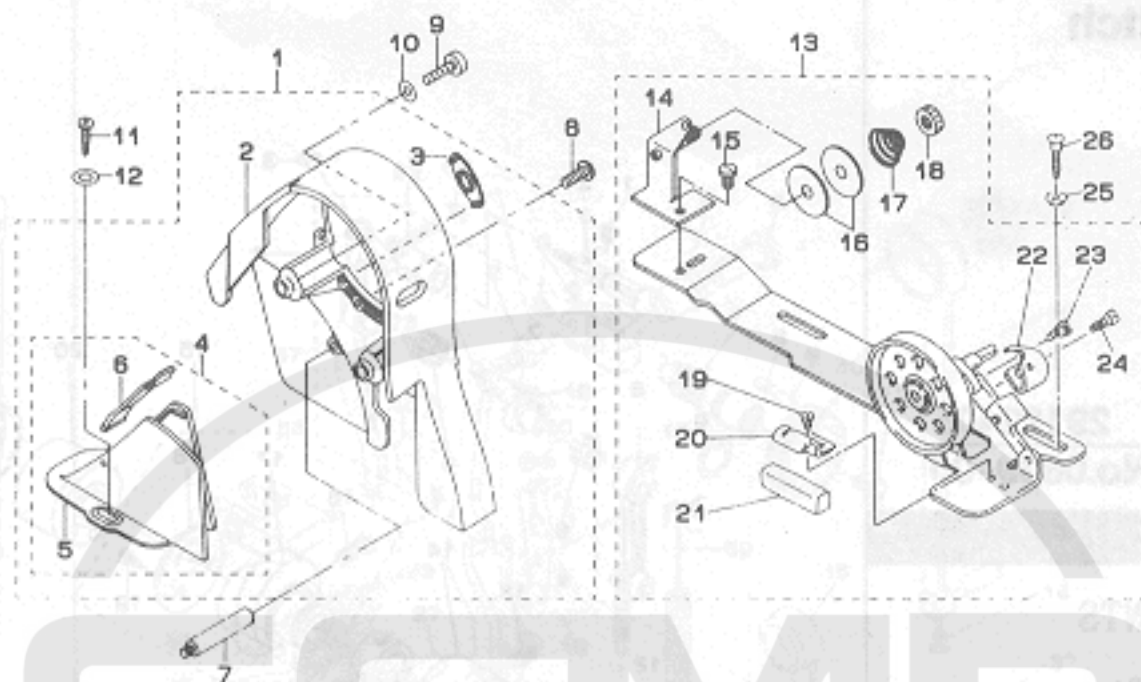
11. OIL RESERVOIR COMPONENTS



REF. NO	NOTE	PART NO.	DESCRIPTION	Qty
1		110-47057	OIL RESERVOIR ASM.	1
2		110-23017	OIL RESERVOIR	(1)
3		110-24700	GASKET	(1)
4		110-47107	RUBBER CUSHION	(4)
5		SS-6700710-SH	SCREW	(1)
6		RO-0982401-00	RUBBER RING	(1)
7		110-24007	CONNECTING ROD, VERTICAL	(1)
8		110-24106	SPRING	(1)
9		RE-1000000-K0	E-RING	(1)
10		110-24502	KNEE PRESS LOD BEARING BRACKET	(1)
11		SS-9182010-SN	SCREW 9/32-20 L=20	(2)
12		NS-6150430-SR	NUT 15/64-28	(2)
13		SS-8153010-SR	SCREW 15/64-28 L=30	(2)
14		SS-9151811-SR	SCREW 15/64-28	(1)
15		110-24205	KNEE PRESS ROD	(1)
16		110-23751	KNEE PRESS PLATE ASM.	1
17		B3431-552-000-A	KNEE PRESS PLATE COVER	(1)
18		B3419-122-000	KNEE LIFTER PLATE ROD	(1)
19		110-24403	RUBBER	(1)
20		110-23702	KNEE PRESS PLATE	(1)
21		110-23801	KNEE PRESS PLATE HOLDER	(1)
22		SS-9151540-SR	SCREW 15/64-28 L=15	(1)
23		110-24304	KNEE PRESS LIFTER ROD	1
24	#01	111-41454	OIL RESERVOIR ASM.	1
25		GAK-300010B0	KNEE PRESS LIFTER ROD ASM.	(1)
26		GAK-30004000	KNEE PRESS LIFTER ROD	(1)
27		RE-0400000-K0	E-SHAPED SNAP RING (4MM)	(1)
28		WP-0621016-SD	WASHER 6.2X13X1	(2)
29		GAK-30005000	SPRING	(1)
30		111-41405	OIL RESERVOIR	(1)
31		111-41702	GASKET	(1)
32		110-47107	RUBBER CUSHION	(4)
33		110-24007	CONNECTING ROD, VERTICAL	(1)
34		110-24106	SPRING	(1)
35		RE-1000000-K0	E-RING	(1)
36		110-24502	KNEE PRESS LOD BEARING BRACKET	(1)
37		SS-9182010-SN	SCREW 9/32-20 L=20	(2)
38		NS-6150430-SR	NUT 15/64-28	(2)
39		SS-8153010-SR	SCREW 15/64-28 L=30	(2)
40		SS-9151610-SR	SCREW 15/64-28 L=16	(1)
41		110-24205	KNEE PRESS ROD	(1)

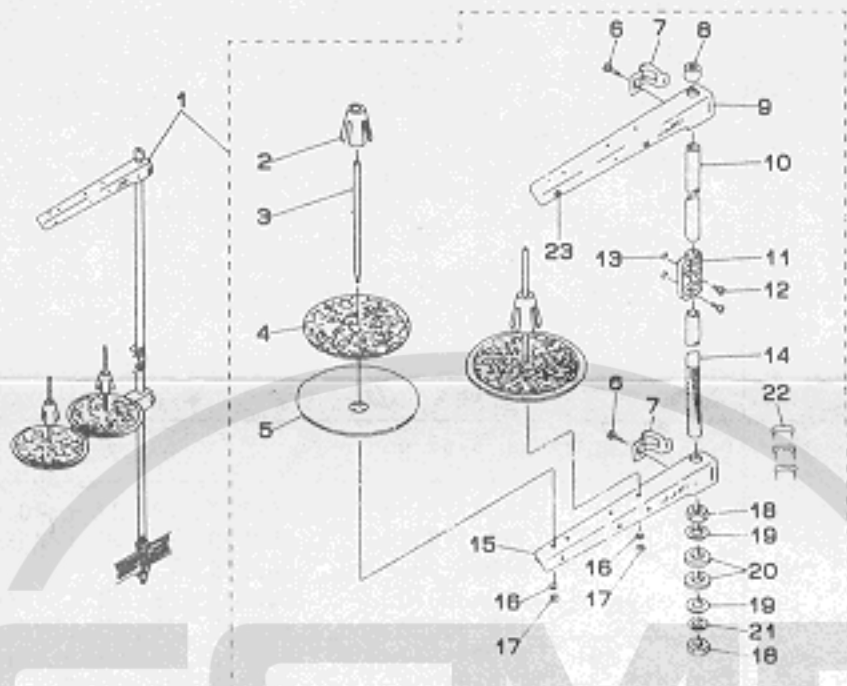
Note #01...FOR JE

12. BELT COVER & BOBBIN COMPONENTS



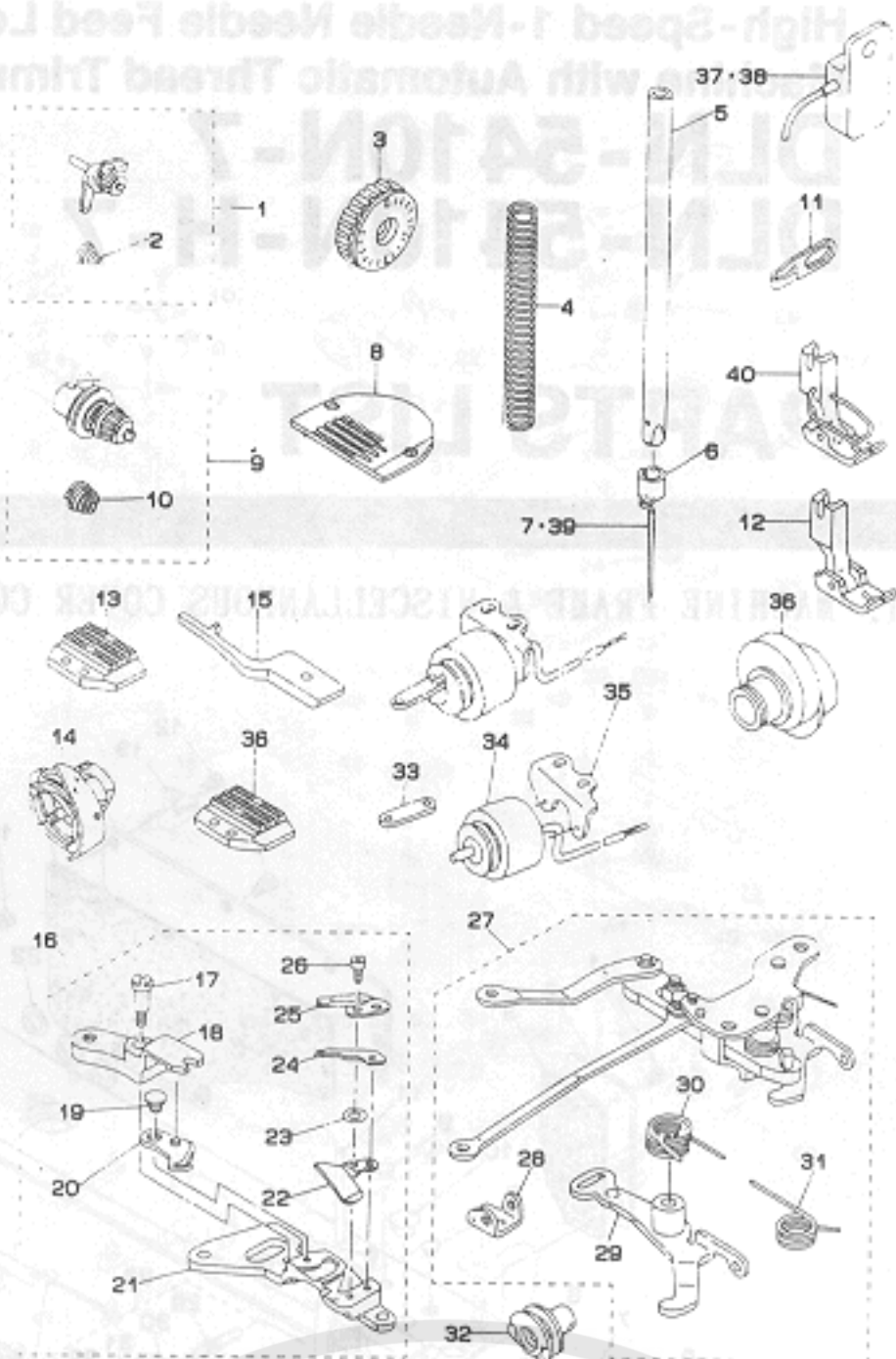
REF. NO	NOTE	PART NO.	DESCRIPTION	Qty
1		110-76650	BELT COVER ASM.	1
2		110-76601	BELT COVER, A	(1)
3		110-76700	BELT COVER, A CAP	(1)
4		110-76858	BELT COVER, B ASM.	(1)
5		110-76809	BELT COVER, B	(1)
6		110-76957	BELT COVER, B COVER ASM.	(1)
7		110-23504	BELT COVER SUPPORT	1
8		110-25202	BELT COVER A SCREW	2
9		SS-4121415-SP	SCREW 3/16-28 L=14	1
10		WP-0591016-SD	WASHER 5X10.5X1	1
11		SK-3412000-SC	WOOD SCREW D=4.1 L=20	2
12		WP-0450826-SC	WASHER 4.5X10X0.8	2
13		110-77567	BOBBIN WINDER COMPL.	1
14		110-78250	THREAD TENSION BRACKET ASM.	(1)
15		SS-7110840-SP	SCREW 11/64-40 L=7.8	(1)
16		B3126-012-000	THREAD TENSION DISK	(2)
17		B3129-012-B00	THREAD TENSION SPRING	(1)
18		110-72204	TENSION NUT	(1)
19		SS-7110350-SP	SCREW 11/64-40 L=3	(1)
20		110-78102	PRESSER PLATE	(1)
21		B3211-555-000	RUBBER BRAKE	(1)
22		110-78003	POSITIONING FINGER	(1)
23		SD-0490261-SP	HINGE SCREW D=4.9 H=2.6	(1)
24		SS-7081310-SP	SCREW 1/8-44 L=12.5	(1)
25		WP-0450826-SC	WASHER 4.5X10X0.8	2
26		SK-3412000-SC	WOOD SCREW D=4.1 L=20	2

13. THREAD STAND COMPONENTS



REF. NO	NOTE	PART NO.	DESCRIPTION	Qty
1		111-83654	THREAD STAND ASM.	1
2		111-84009	SPOOL RETAINER	(2)
3		B3320-704-L00-A	SPOOL PIN	(2)
4		B3311-012-000	SPOOL REST CUSHION	(2)
5		111-83902	SPOOL REST	(2)
6		SM-6061610-SC	SCREW M6 L=16	(2)
7		111-84306	THRED GUIDE ARM JOINT	(2)
8		111-84108	SPOOL REST ROD RUBBER CAP	(1)
9		111-83803	THREAD GUIDE	(1)
10		111-83704	SPOOL REST ROD, UPPER	(1)
11		111-84207	SPOOL REST ROD JOINT	(1)
12		SH-4051405-SE	SCREW M5X0.8 L=14	(2)
13		NW-6050001-SE	NUT M5X0.8	(2)
14		111-83605	SPOOL REST ROD, LOWER	(1)
15		111-83803	THREAD GUIDE	(1)
16		WS-0510002-KN	SPRING WASHER	(2)
17		NW-6050001-SE	NUT M5X0.8	(2)
18		B3317-704-000	NUT C15	(2)
19		WP-1702600-S0	WASHER 17X30X2.6	(2)
20		D3310-555-D00	RUBBER WASHER	(2)
21		WS-1643202-KR	SPRING WASHER	(1)
22		MAO-11532000	CORD STAPLE	(3)
23		B3319-704-L00	THREAD GUIDE	(2)

14. EXCLUSIVE PARTS FOR DLN-5410NH-7



REF. NO	NOTE	PART NO.	DESCRIPTION	Qty
1		110-73954	THREAD TENSION ASM.	1
2		110-93606	THREAD TENSION SPRING	(1)
3		113-26303	FEED DIAL	1
4		B1505-552-000-A	PRESSER SPRING	1
5		113-20801	NEEDLE BAR	1
6		B1418-415-H00	NEEDLE BAR THREAD GUIDE	1
7		MDB-100B2200	NEEDLE DBX1 #22	1
8		B1109-415-H08	THROAT PLATE (H)	1
9		110-73657	THREAD TENSION ASM.	1
10		B3114-232-000	THREAD TENSION SPRING	(1)
11		110-91006	ARM THREAD GUIDE (HA)	1
12	#03	B1524-041-EA0	PRESSER FOOT (E) ASM.	1
13		113-22203	FEED DOG, H	1
14		113-21452	LUBRICATING BOBBIN ASM.	1
15		110-93804	POSITIONING FINGER H	1
16		113-20355	KNIFE UNIT	1
17		SD-0460703-TP	HINGE SCREW	(1)
18		112-32105	FORKED BASE FOR KNIFE	(1)
19		SD-0500095-TH	HINGE SCREW D= 5 H= 0.85	(1)
20		110-93259	MOVING KNIFE ASM.	(1)
21		110-93101	KNIFE MOUNTING BASE	(1)
22		114-09802	THREAD TENSION GUIDE	1
23		SS-2060210-SP	SCREW 3/32-56 L=2.3	1
24		D2407-415-D00	THREAD GUIDE, LOWER	(1)
25		113-20108	COUNTER KNIFE	(1)
26		SS-4080620-TP	SCREW 1/8-44 L=6	(2)
27		113-20454	THREAD TRIMMER DRIVING UNIT	1
28		110-94307	ROLLER ARM BRACKET	(1)
29		110-94554	CLUTCH PLATE ASM.	(1)
30		110-94406	SPRING	(1)
31		110-41605	KNIFE RETURN SPRING	(1)
32		110-94703	THREAD TRIMMER CAM.	1
33		110-94604	CLUTCH LINK	1
34		110-94851	THREAD TRIMMER SOLENOID	1
35		114-07608	SOLENOID BASE	1
36		113-22401	FEED ECCENTRIC CAM H	1
37		M6003-350-AAF	RESISTANCE PACK AF ASM.	1
38	#01	M6003-350-AAA	RESISTANCE PACK AA ASM.	1
39	#02	MC-2005014-00	NEEDLE 134	1
40		B1524-041-EB0	PRESSER FOOT ASM.	1

Note #01....FOR JA
 #02....FOR JE
 #03....FOR DOMESTIC USE